

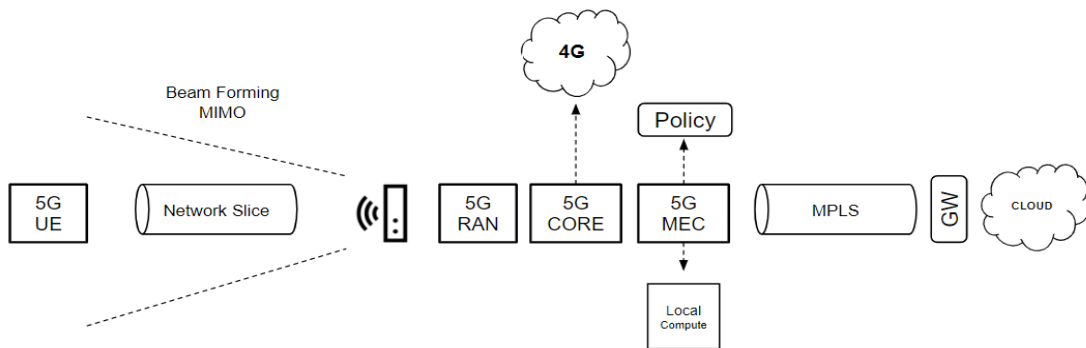
# Security as the cornerstone to Verizon



## U.S. Marine Corps, Verizon Launch 'Living Lab' to Test 5G

Officials will explore 5G-enabled defense applications and use cases on a San Diego military base Marine Corps Air Station Miramar

### ✓ Mission Critical 5G Using Zero Trust Architecture



Other applications of ZTA:

- ✓ **Existing Software Defined Perimeter (SDP)**  
Enables High Performance Zero Trust Architecture for all of our Enterprise customers
- ✓ **Continued product, feature development & security enhancements** to meet evolving customer needs

# Continued Commitment to our customers

Implemented ZTA principles in our network:

- **Policy Based User Equipment Access** to the network and its resources
- **Encryption & Cryptographic Authentication** for communications between Network Functions in the Software Based Architecture
- **Rigorous Development Processes** for retail devices and network certification security requirements
- **NIST Cybersecurity Framework Alignment** for all Verizon security practices and processes

Link to white paper:

<https://solutionslab.vzw.com/document/first-principles-for-securing-5g-white-paper>

Link to MSI Report:

<https://enterprise.verizon.com/resources/reports/mobile-security-index/>



## First Principles for Securing 5G white paper

The design, deployment, operation and innovation of secure 5G networks

White Paper, 5G, 5G Ultra Wideband, 5g Ultra Wideband Security, Cybersecurity, 5g Security, MEC, Edge

Verizon is leveraging the technological capabilities of 5G to design, operate and innovate the functions of its 5G network to provide best-of-breed security that accounts for existing and emerging threats.

Download

